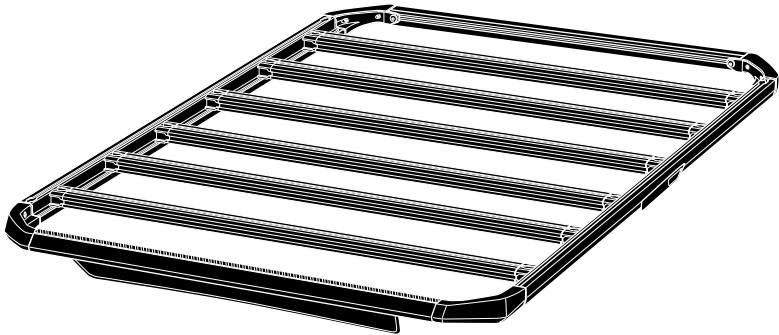
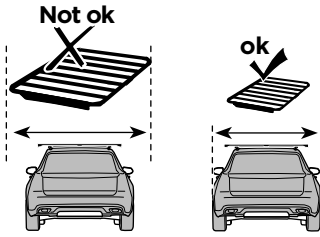


➤ Instructions

Thule Caprock

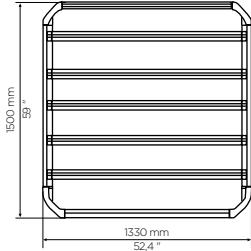
S/M/L/XL/TB Short/TB Long/XXL



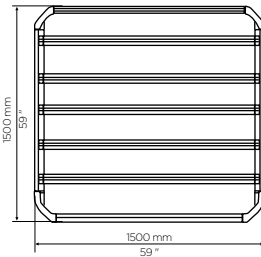


ok ✓
 → [thule.com](https://www.thule.com)

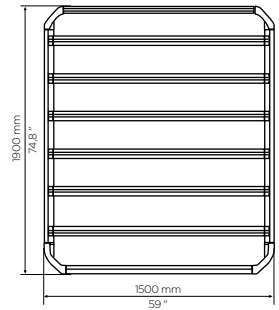
S, 611001: 22.2 kg/48.9 lbs



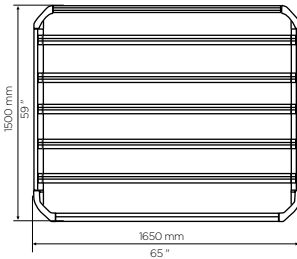
M, 611002: 24.2 kg/53.4 lbs



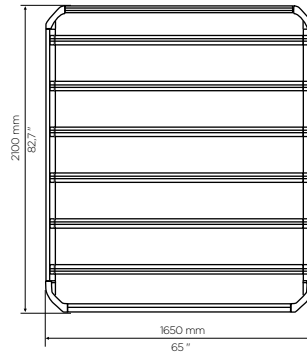
L, 611003: 28.2 kg/62.2 lbs



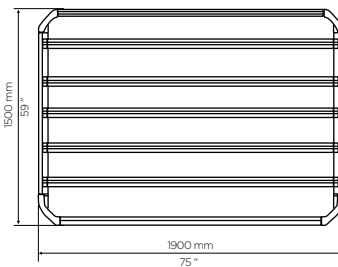
XL, 611004: 26.2 kg/57.8 lbs



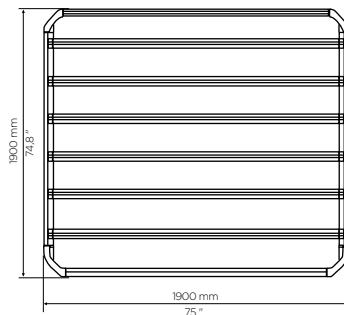
XXL, 611006: 31.0 kg/68.3 lbs



TB Short, 611015: 29.0 kg/63.9 lbs

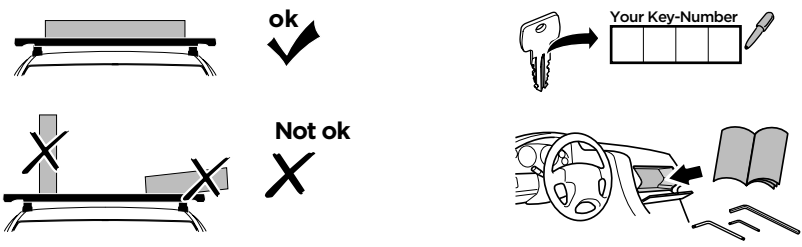
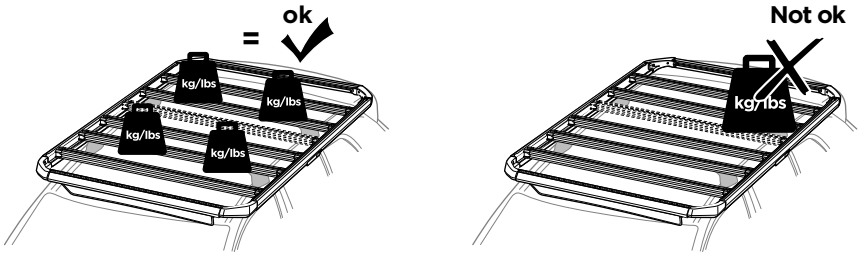
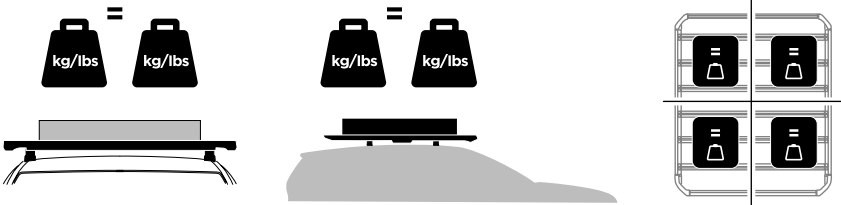
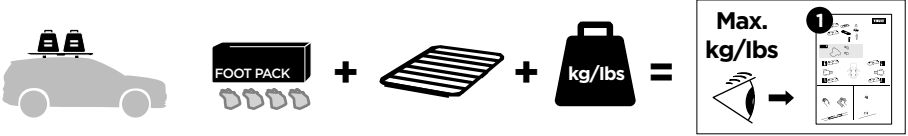


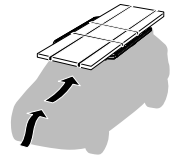
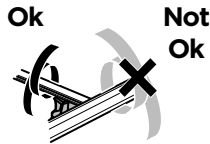
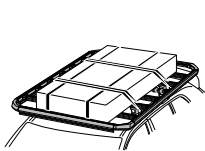
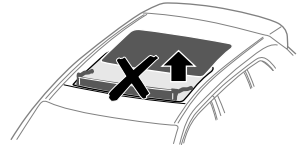
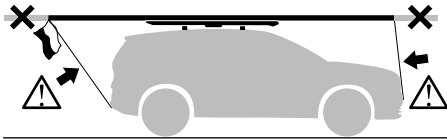
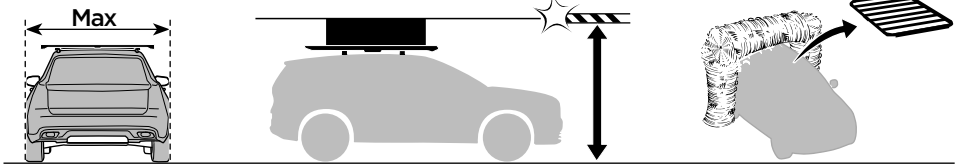
TB Long, 611005: 33.6 kg/74.1 lbs



Not available in all markets

i

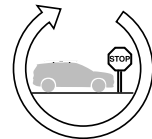




500 km/310 Miles



+



***2-3**

- EN** Only a few turns
- FR** Quelques tours uniquement
- ES** Sólo algunas vueltas
- DE** Nur wenige Umdrehungen
- NL** Slechts enkele slagen
- PT** Apenas algumas voltas
- IT** Solo qualche giro
- SV** Endast några varv

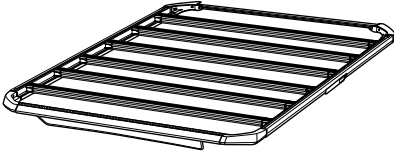
- DK** Kun nogle få omgange
- NO** Bare noen få omdreininger
- FI** Vain muutama kierros
- IS** Aðeins nokkrir snúningar
- ET** Ainult mõni pööre
- LV** Tikai dažī apgrīzieni
- LT** Tik keli pasukimai
- RU** Только несколько оборотов
- UK** Лише декілька обертів
- PL** Wystarczy kilka obrotów
- CS** Pouze několik otáček
- HU** Csak néhány fordítás
- RO** Doar câteva rotiri
- SK** Len niekoľko otáčok

- SL** Le nekaj obratov
- BG** Само няколко завъртания
- HR** Samo nekoliko okreta
- EL** Μόνο λίγες περιστροφές
- TR** Yalnızca birkaç tur
- MT** Hanya beberapa putaran
- HE** רק מספר סיבובים
- AR** بعض دورات فقط

- ZH (CN)** 仅几圈
- ZH (TR)** 只需轉幾圈
- JA** わずか数ターン
- KO** 몇 번만 돌리면 됨
- TH** เพียงสองสามรอบ
- MS** Ftit dawriet biss



Thule Caprock



Thule Load Carrier Feet

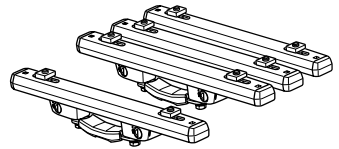


Page 8-18

Thule Caprock

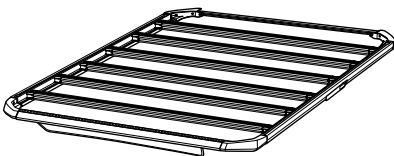


Thule Caprock Crossbar Kit

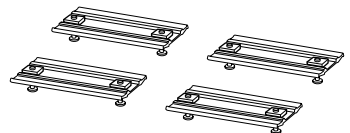


Page 19-31

Thule Caprock















Thule Caprock truck rack adapter





Page 32-41

i

 + 	MAX  Kg/lbs				
Thule Load Carrier Feet	75/165	100/220	112.5/248	150/330	No Fit
Thule Evo Fixpoint  x 4	X				
Thule Evo Flush Rail  x 4	X				
Thule Rain Gutter  x 4	X				
Thule Evo Raised Rail  x 4		X			
Thule Evo Fixpoint  x 6		X			
Thule Rain Gutter  x 6		X			
Thule Evo Clamp					X
Thule Edge roof rack system					X

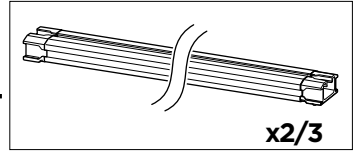
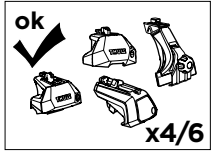
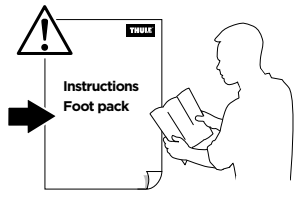
 + 	MAX  Kg/lbs		
Thule Load Carrier Feet	75/165	100/220	112.5/248
Thule Evo Fixpoint + Thule Caprock Crossbar Kit		X	
Thule Evo Flush Rail + Thule Caprock Crossbar Kit	X		
Thule Rain Gutter + Thule Caprock Crossbar Kit		X	
Thule Evo Raised Rail + Thule Caprock Crossbar Kit		X	
Thule Evo Clamp + Thule Caprock Crossbar Kit	X		
Thule Edge Roof Rack Systems + Thule Caprock Crossbar Kit	X		

	MAX  Kg/lbs			
Thule Rack System	75/165	100/220	112.5/248	150/330
Thule Xsporter Pro Low		X		
Thule Xsporter Pro 500XT			X	
Thule Xsporter Pro Mid				X
Thule Xsporter Pro Shift				X
Thule Xsporter Pro Low + Thule Caprock Crossbar Kit		X		
Thule Xsporter Pro 500XT + Thule Caprock Crossbar Kit		X		
Thule Xsporter Pro Mid + Thule Caprock Crossbar Kit		X		
Thule Xsporter Pro Shift + Thule Caprock Crossbar Kit		X		

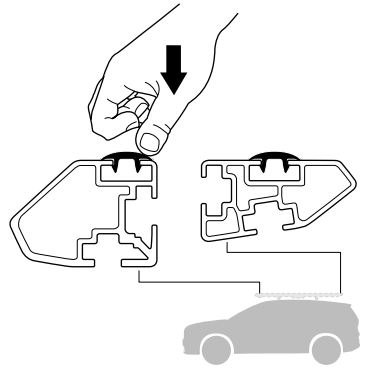
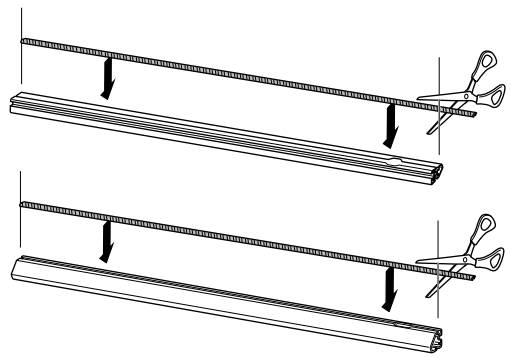
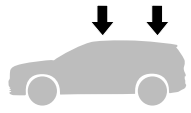
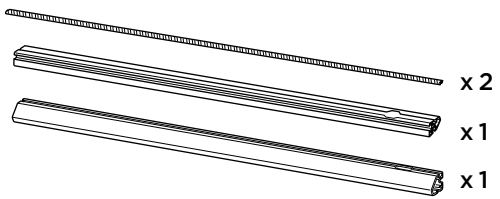
FOOT PACK

+

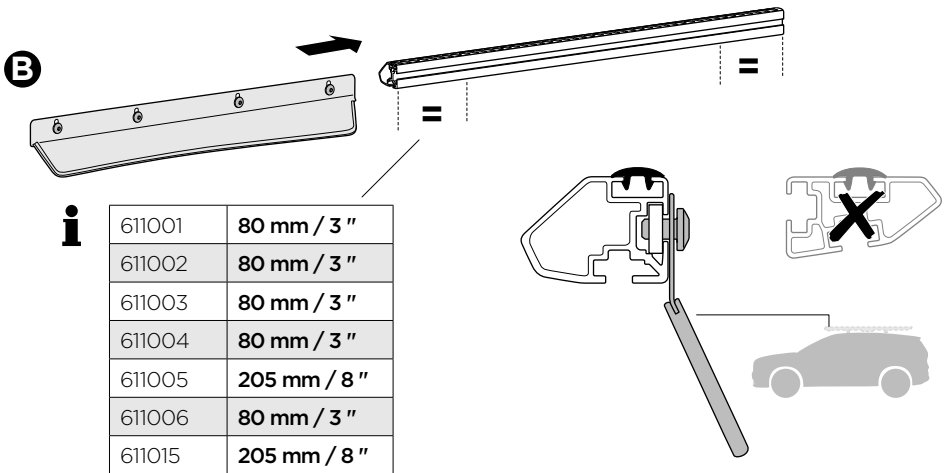
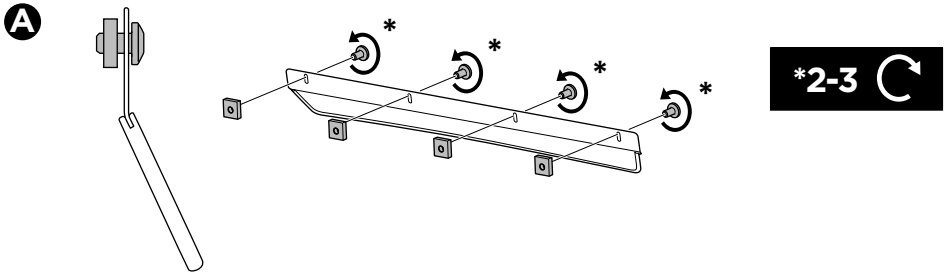
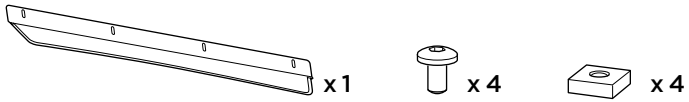
Thule Caprock









1

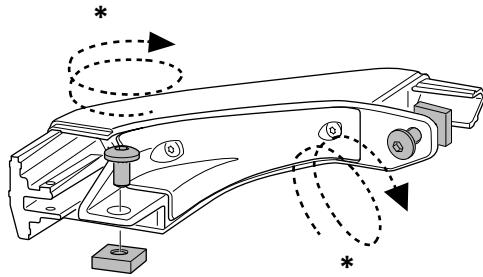



2



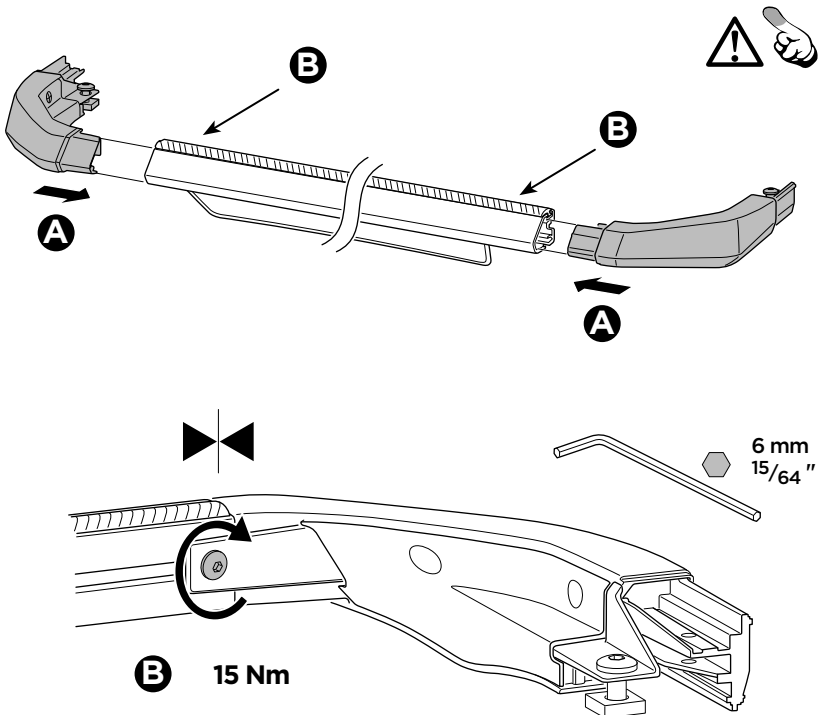
3

-  x1
-  x1
-  x1
-  x1
- x1**
-  x8
-  x8

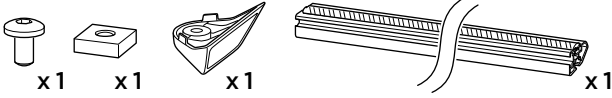


***2-3** 

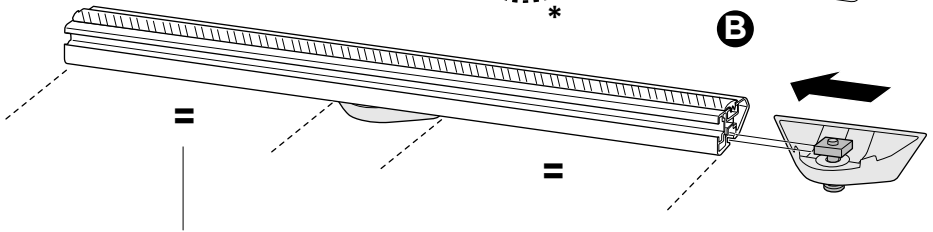
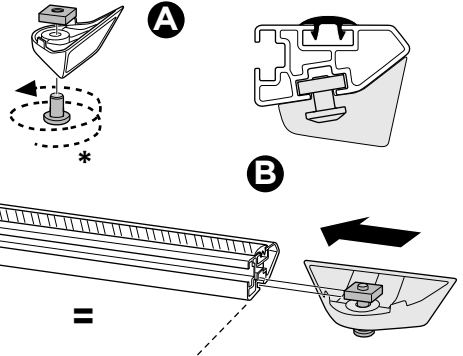
4



5

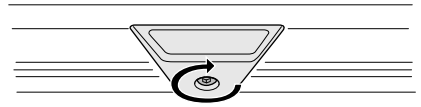


***2-3**

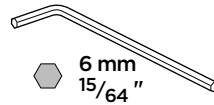


i

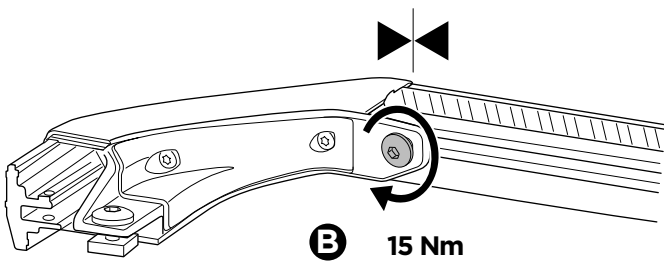
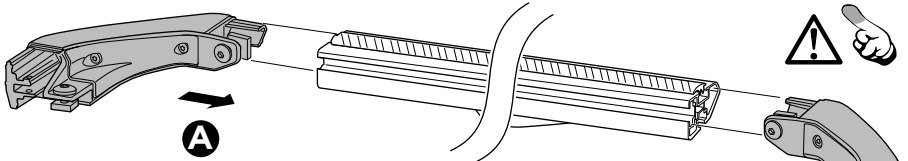
611001	466 mm / 18 3/8"
611002	551 mm / 21 11/16"
611003	551 mm / 21 11/16"
611004	626 mm / 24 5/8"
611005	751 mm / 29 9/16"
611006	626 mm / 24 5/8"
611015	751 mm / 29 9/16"



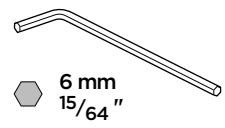
4 Nm



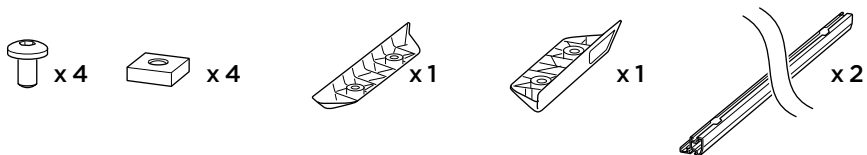
6



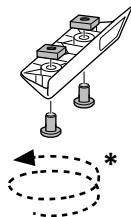
B 15 Nm



7



A

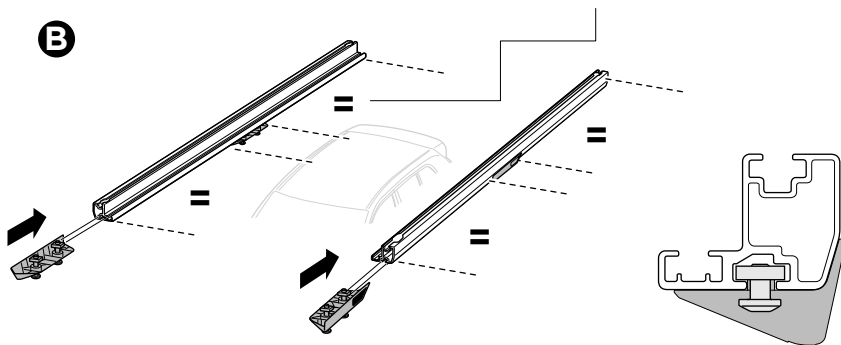


***2-3**

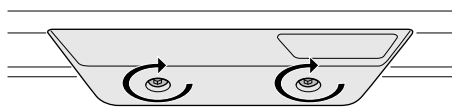
i

611001	407 mm / 16 1/3"
611002	407 mm / 16 1/3"
611003	607 mm / 23 7/8"
611004	407 mm / 16 1/3"
611005	607 mm / 23 7/8"
611006	707 mm / 27 13/16"
611015	407 mm / 16 1/3"

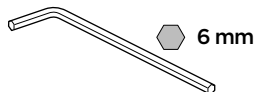
B



C

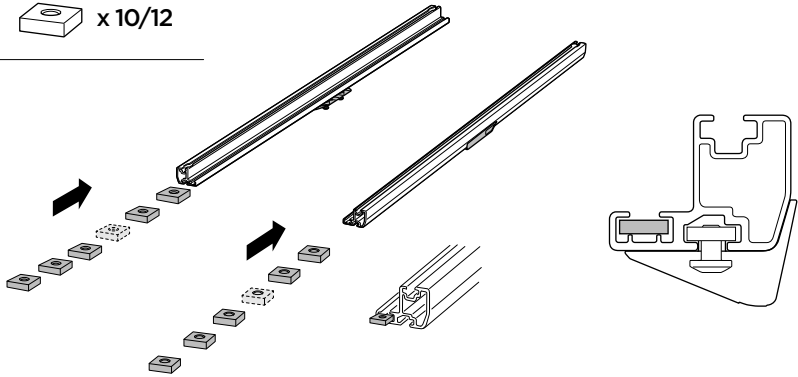


4 Nm



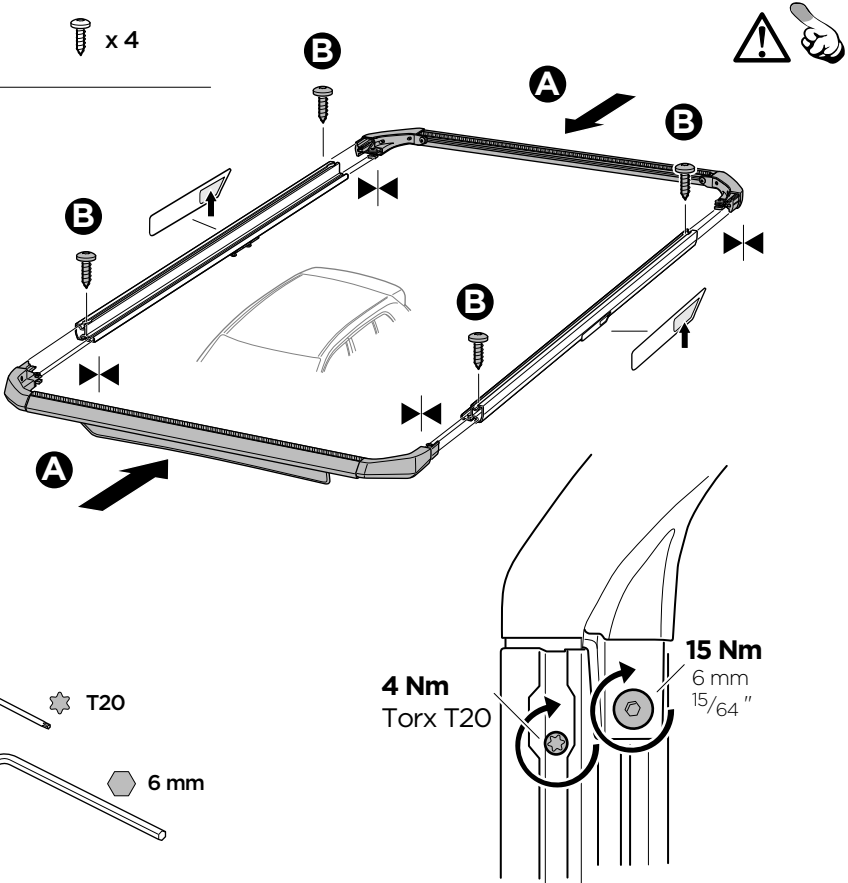
8

x 10/12

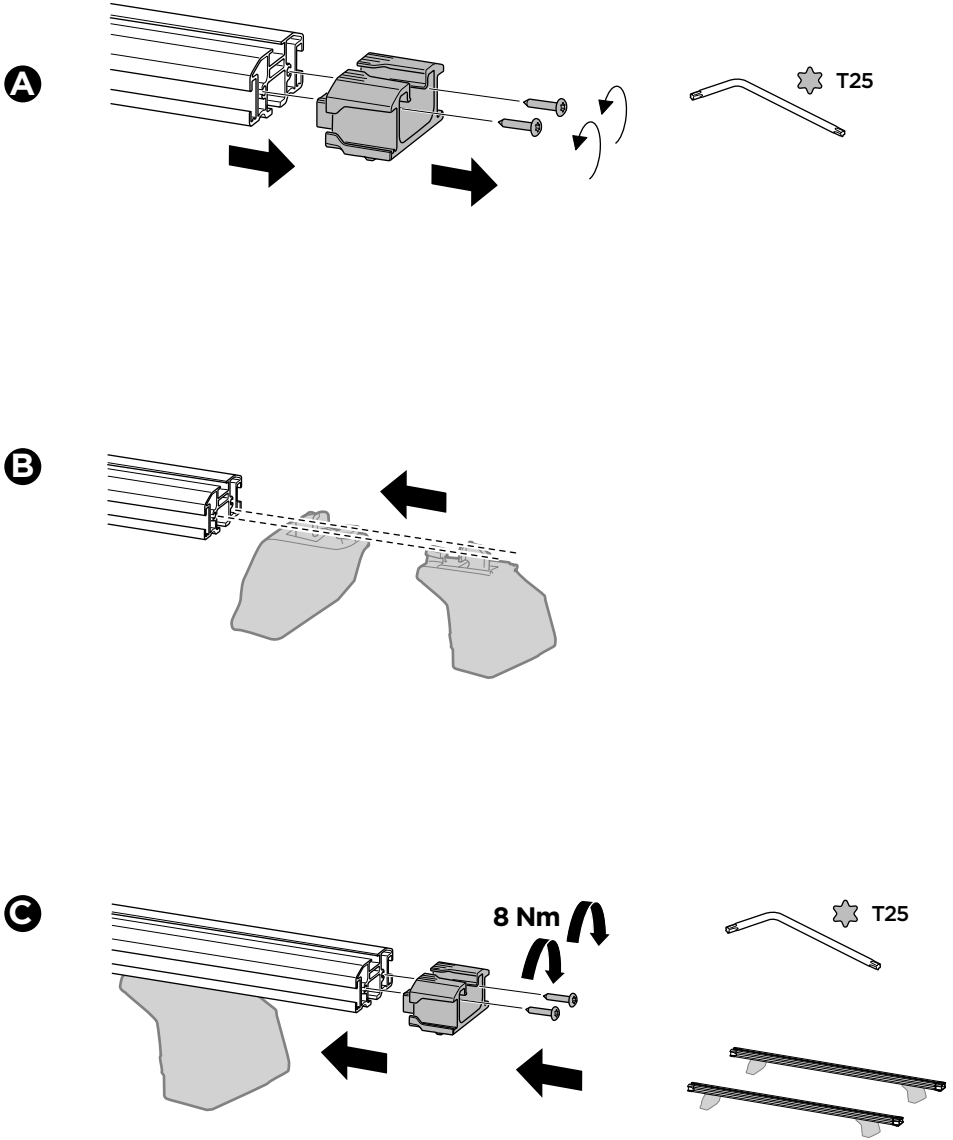


9

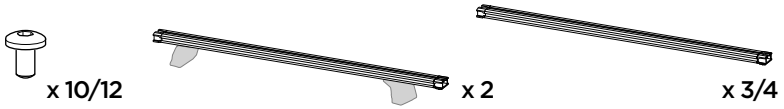
x 4



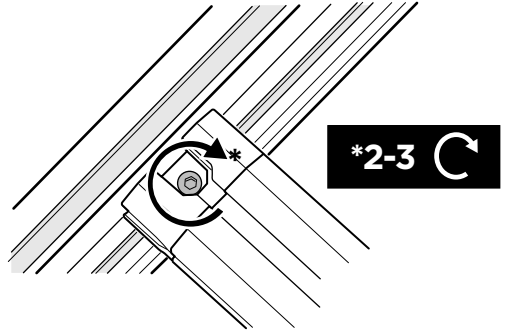
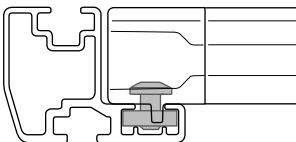
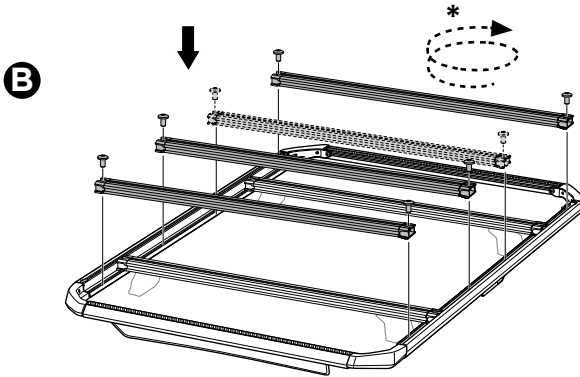
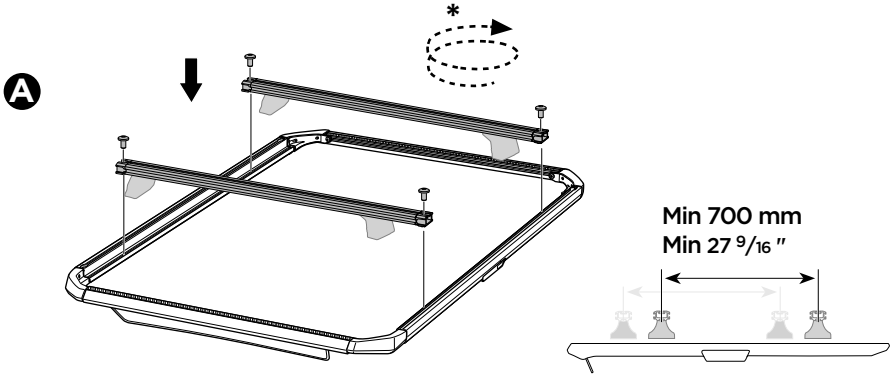
10



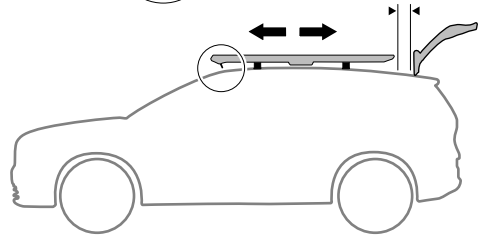
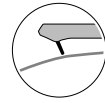
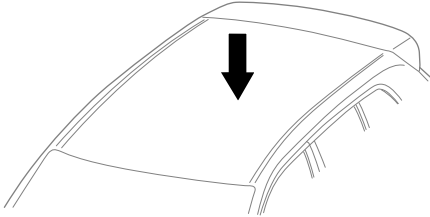
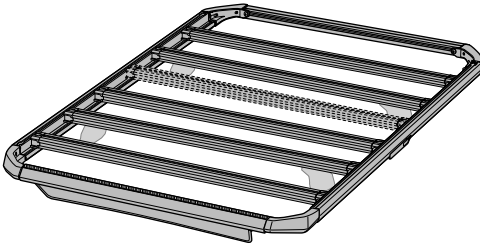
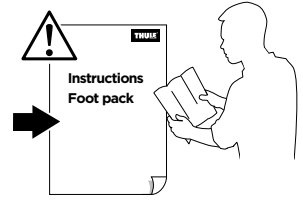
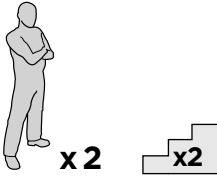
11



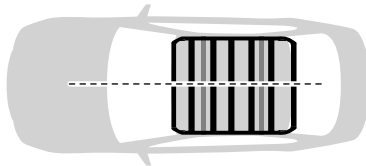
***2-3** ↻



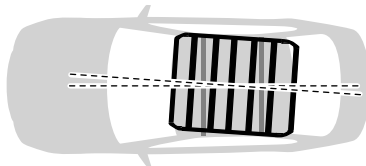
12



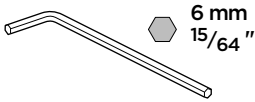
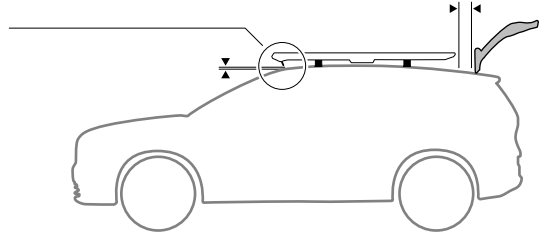
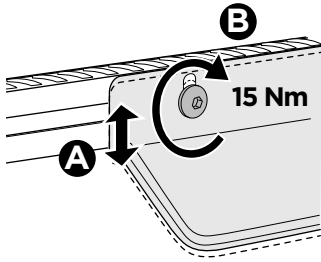
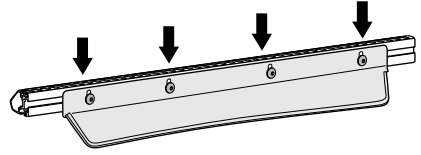
ok ✓



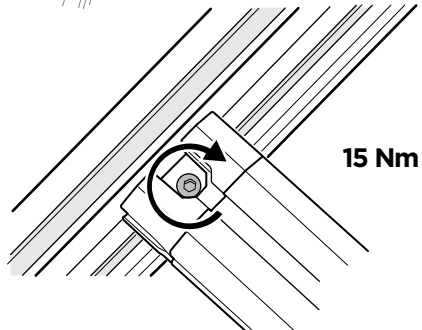
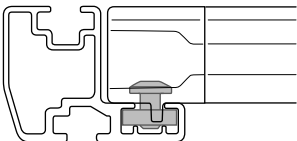
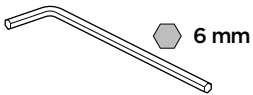
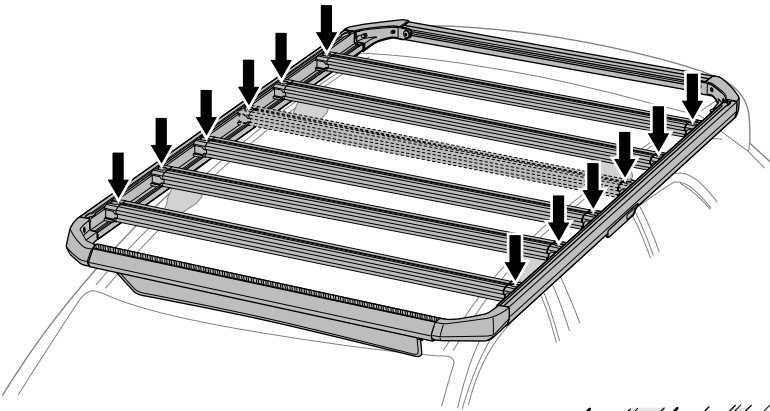
Not ok ✗



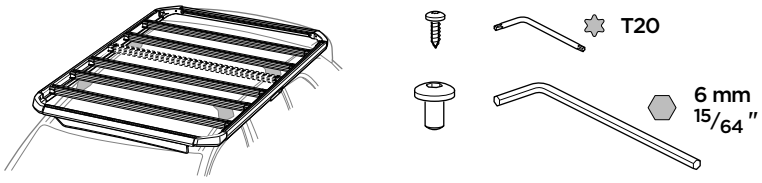
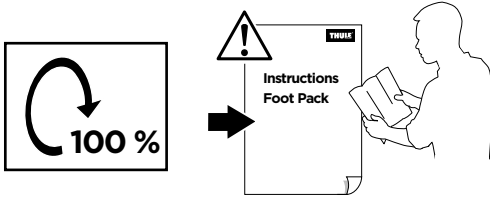
13



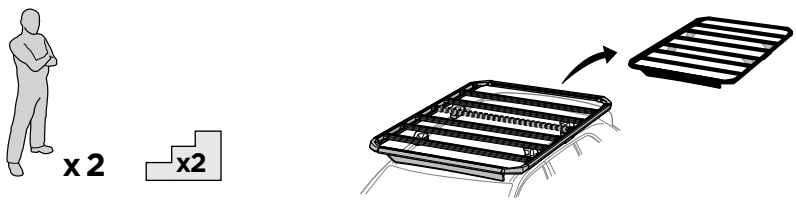
14



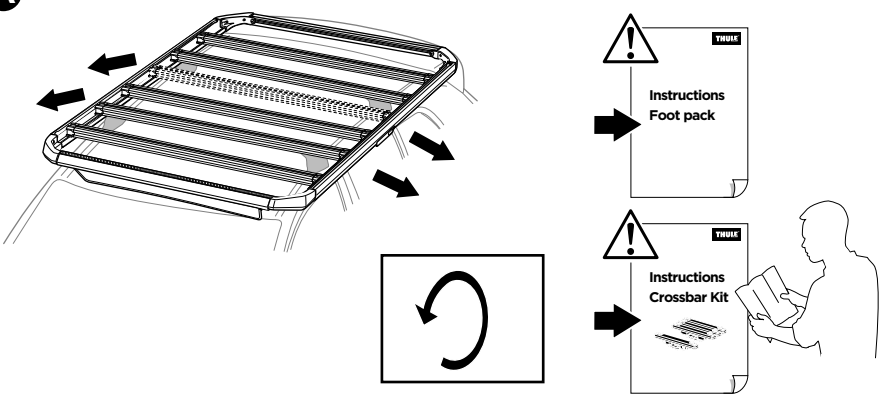
15



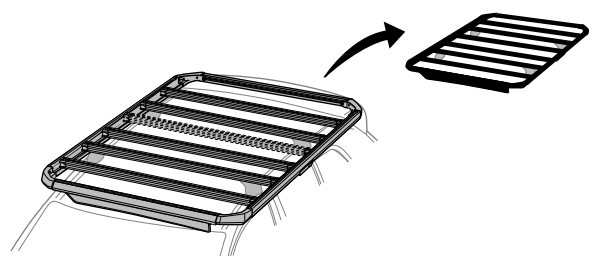
i



A

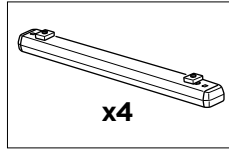


B

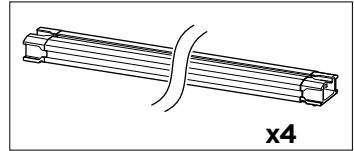


Crossbar Kit +

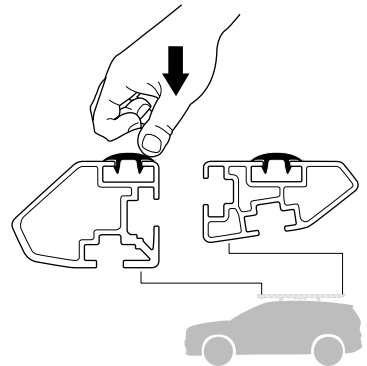
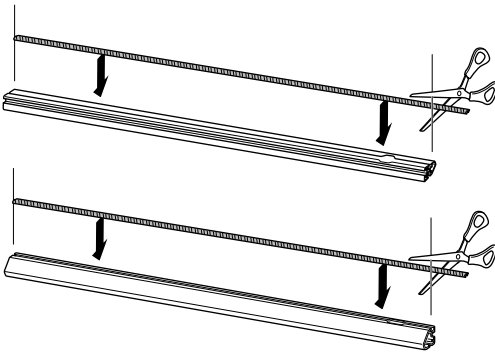
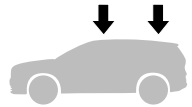
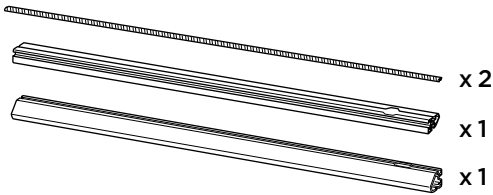
Thule Caprock



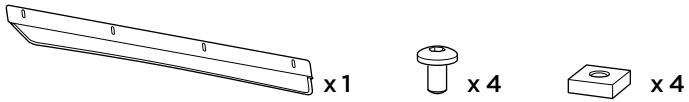
+



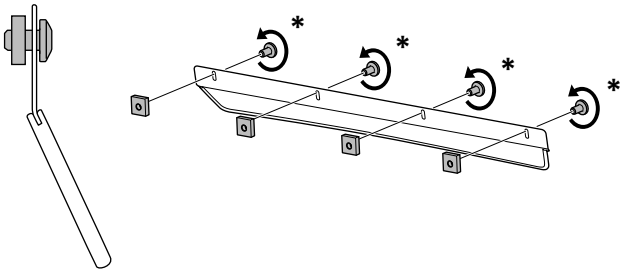
1



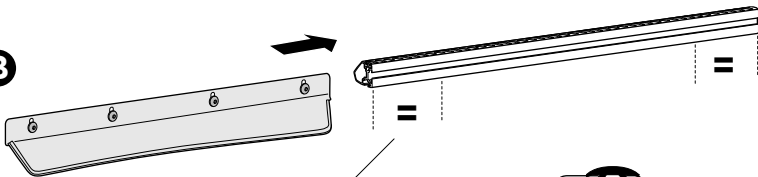
2



A

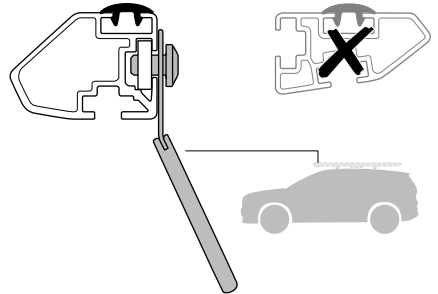


B





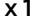




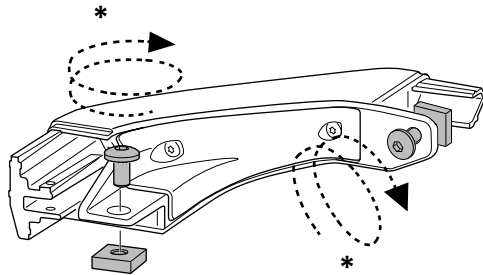
i

611001	80 mm / 3 "
611002	80 mm / 3 "
611003	80 mm / 3 "
611004	80 mm / 3 "
611005	205 mm / 8 "
611006	80 mm / 3 "
611015	205 mm / 8 "



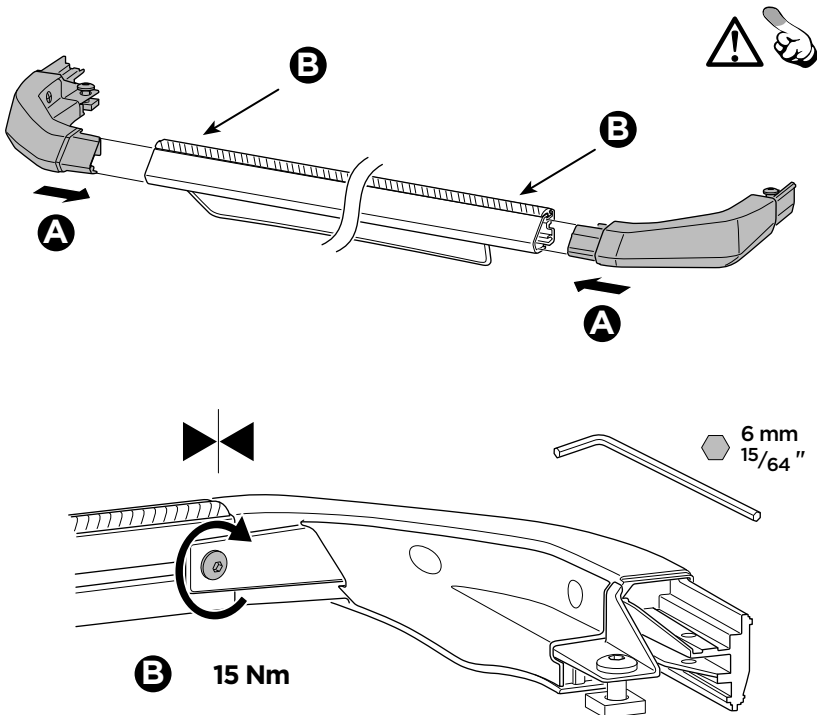
3

-  x1
-  x1
-  x1
-  x1
-  x1
-  x8
-  x8

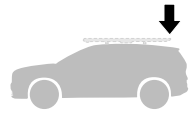
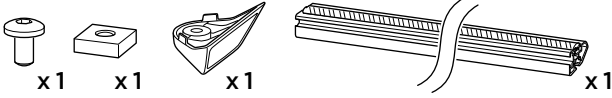


***2-3** 

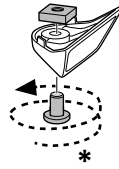
4



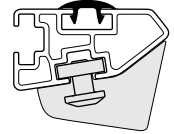
5



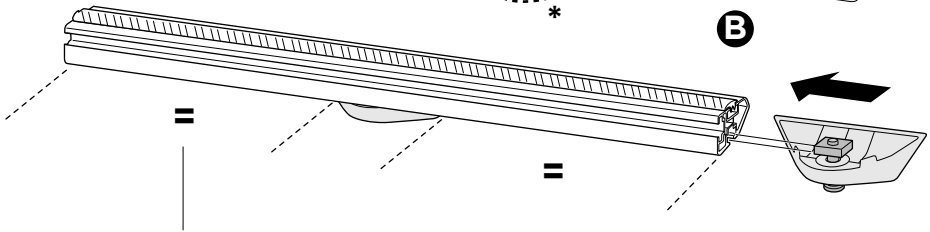
***2-3**



A

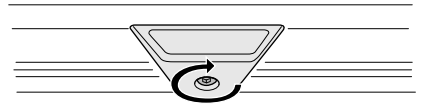


B

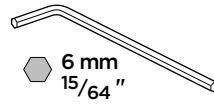


i

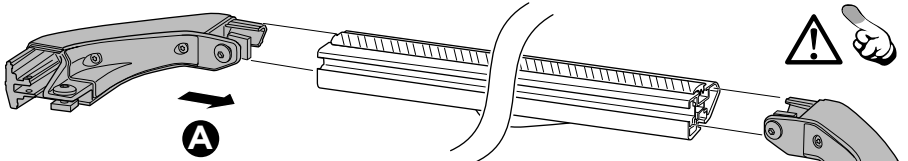
611001	466 mm / 18 3/8"
611002	551 mm / 21 11/16"
611003	551 mm / 21 11/16"
611004	626 mm / 24 5/8"
611005	751 mm / 29 9/16"
611006	626 mm / 24 5/8"
611015	751 mm / 29 9/16"



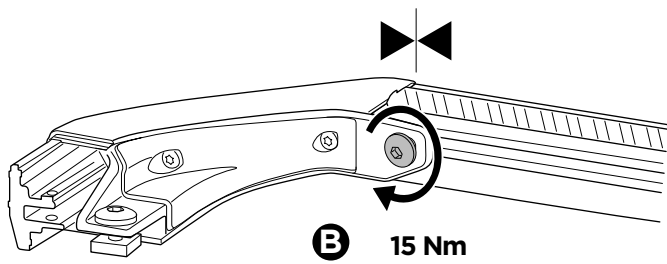
4 Nm



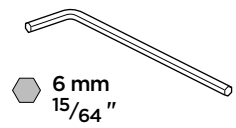
6



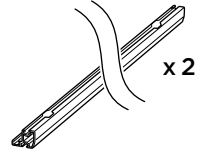
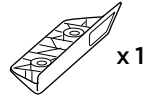
A



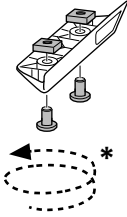
B **15 Nm**



7



A

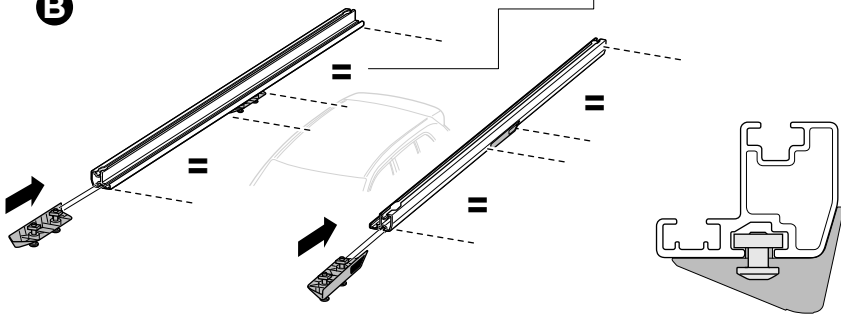


***2-3**

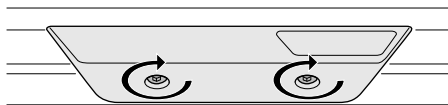
i

611001	407 mm / 16 1/3"
611002	407 mm / 16 1/3"
611003	607 mm / 23 7/8"
611004	407 mm / 16 1/3"
611005	607 mm / 23 7/8"
611006	707 mm / 27 13/16"
611015	407 mm / 16 1/3"

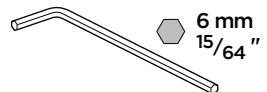
B



C

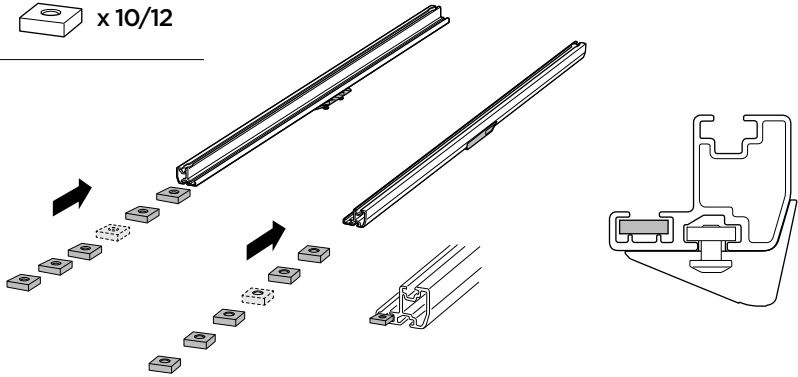


4 Nm



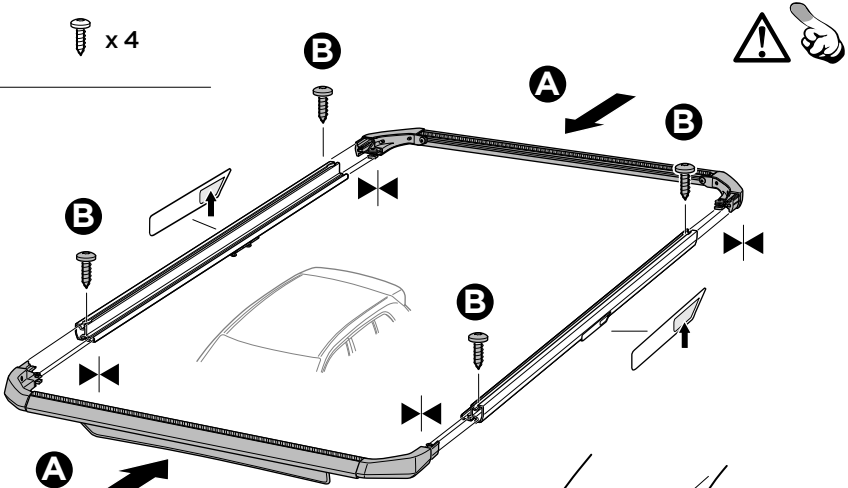
8

x 10/12



9

x 4



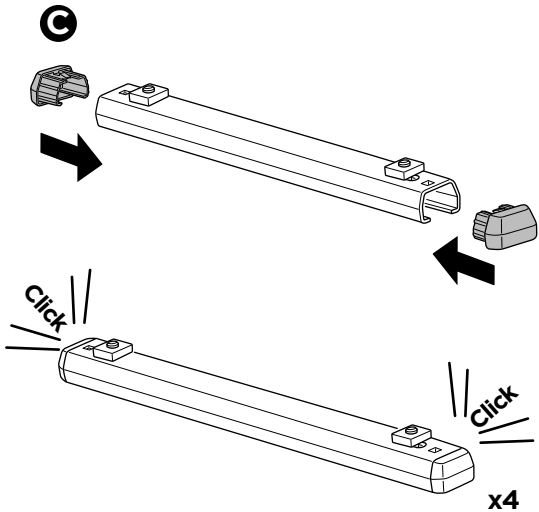
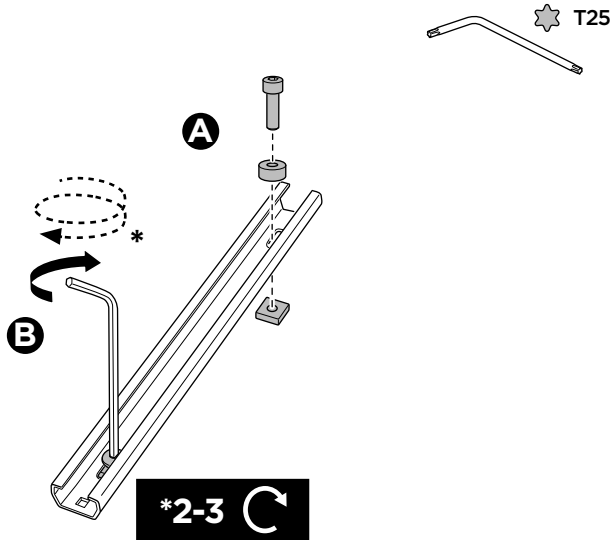
T20

6 mm
15/64"

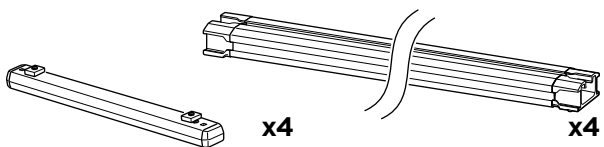
4 Nm
Torx T20

15 Nm
6 mm
15/64"

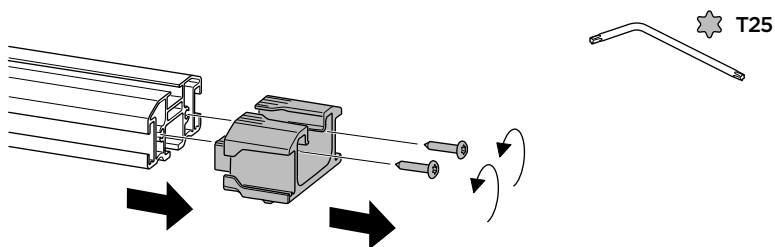
10



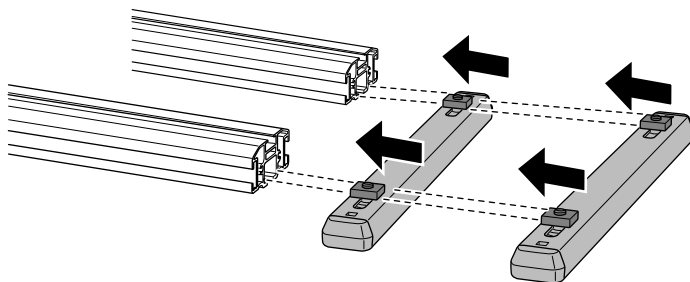
11



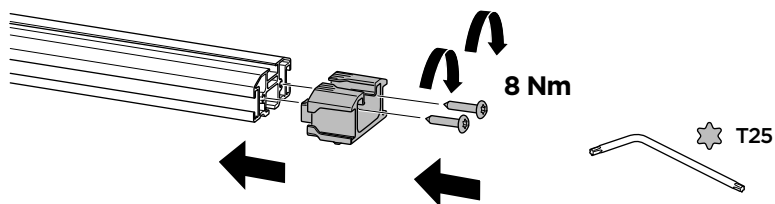
A



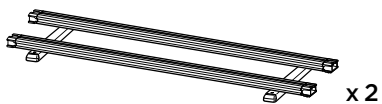
B



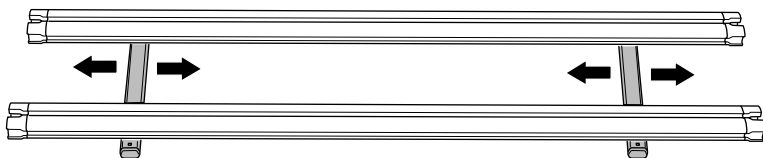
C



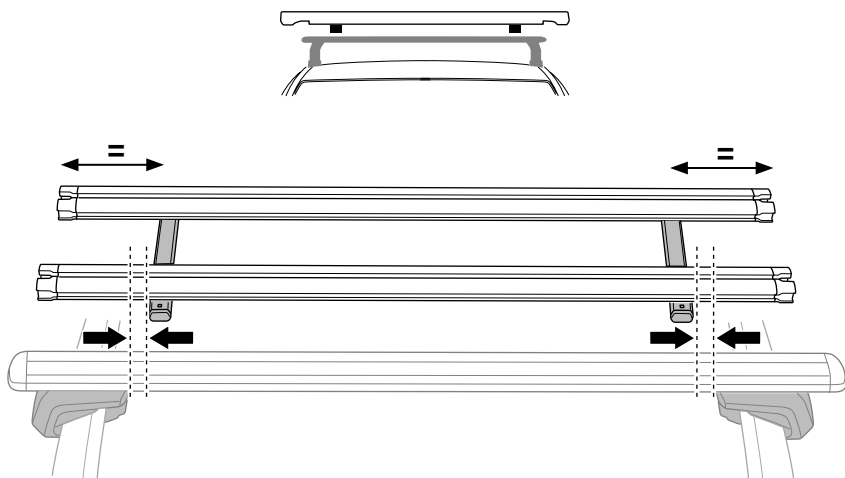
12



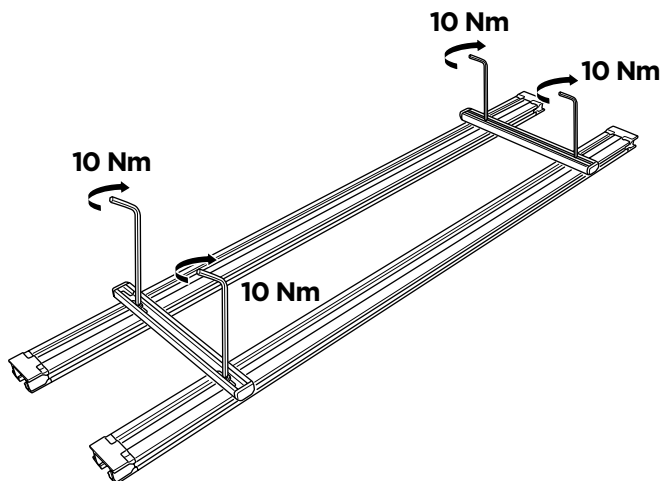
A



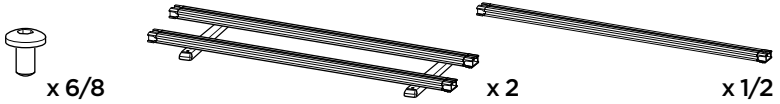
B



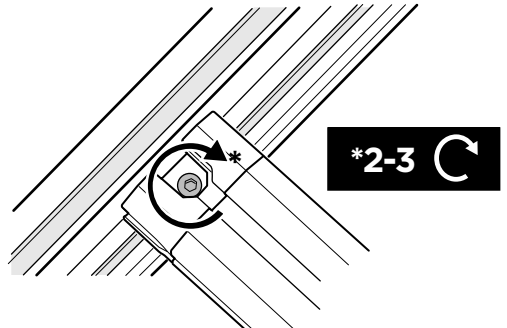
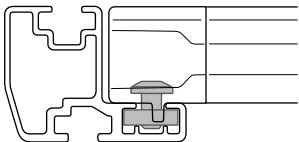
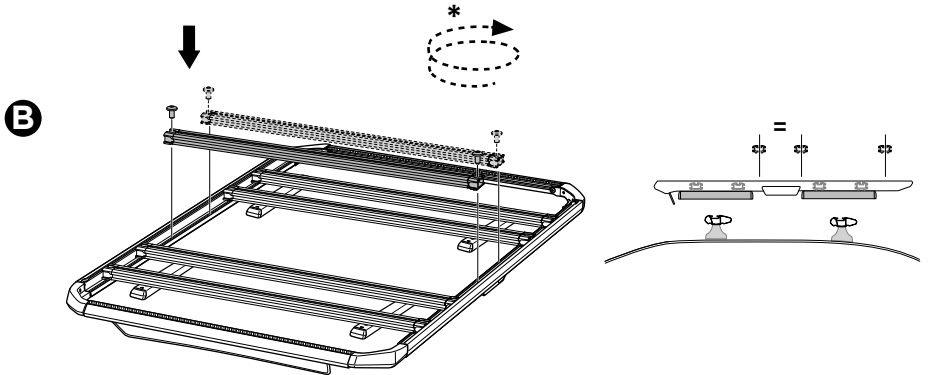
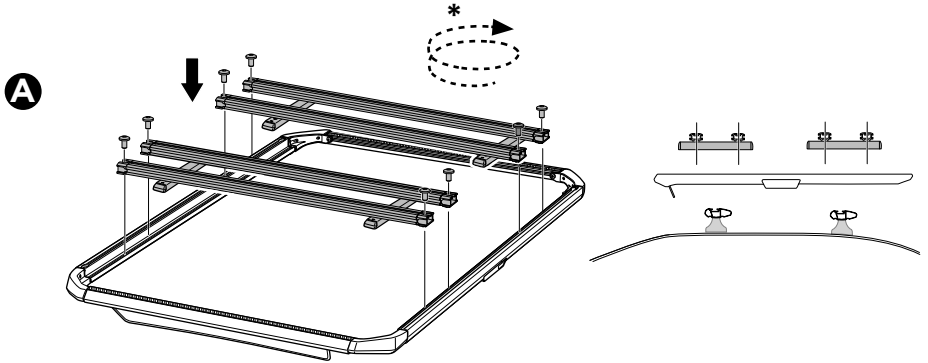
C



13



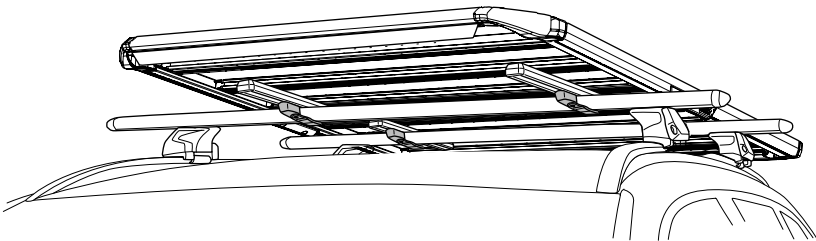
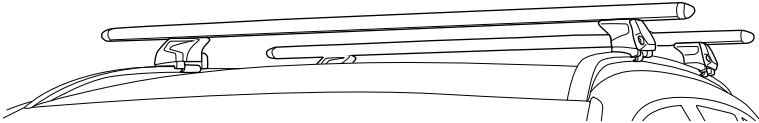
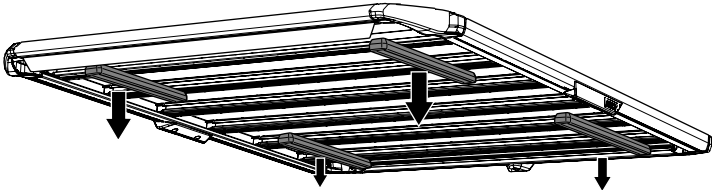
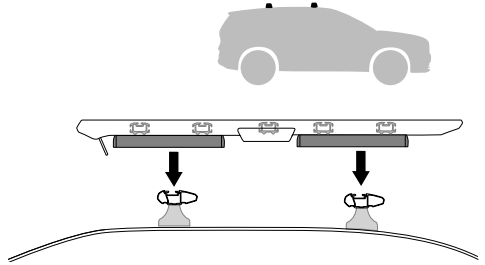
***2-3** ↻



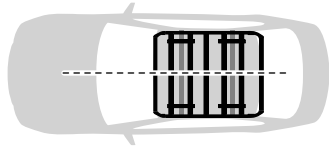
14



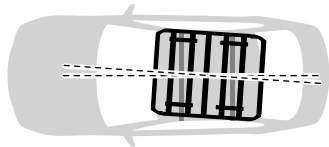
x2



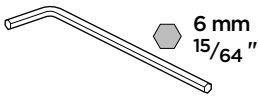
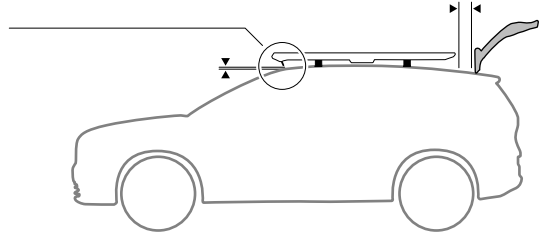
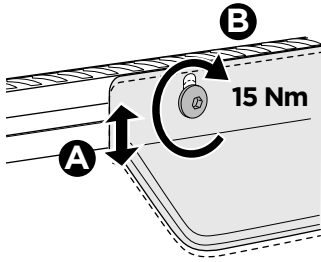
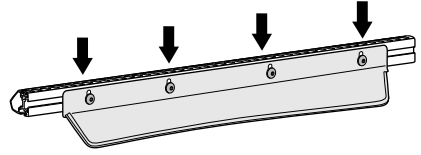
ok ✓



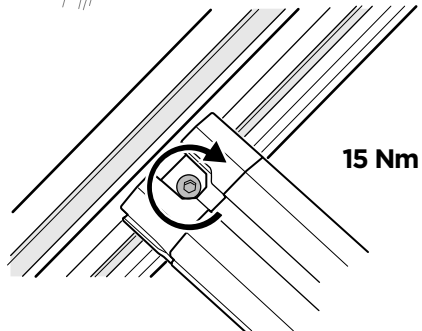
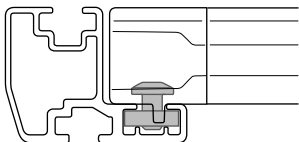
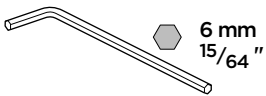
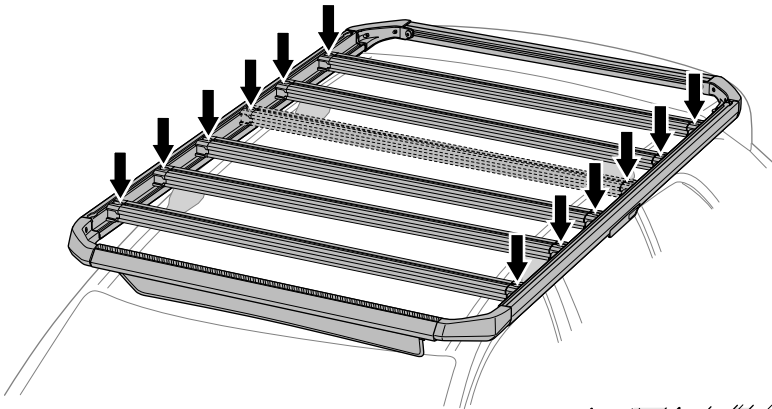
Not ok ✗



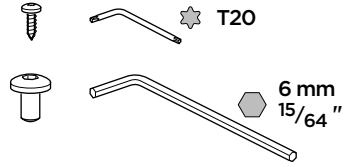
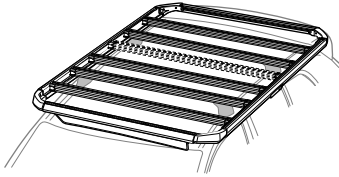
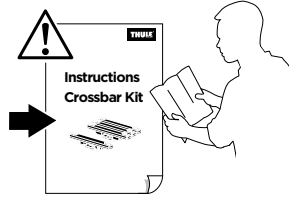
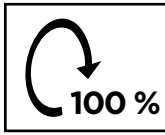
15



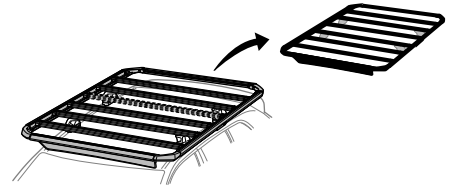
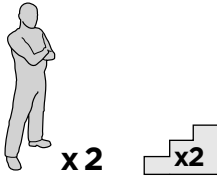
16



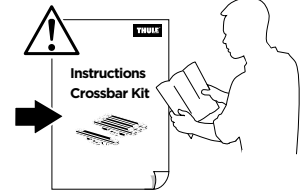
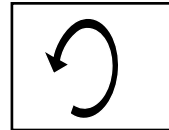
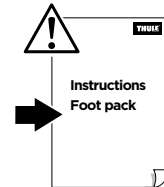
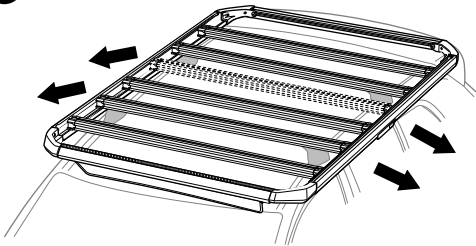
17



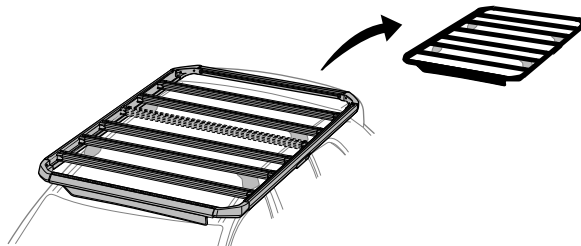
i



A



B



Thule Caprock
truck rack adapter

+

Thule Caprock



Instructions
Thule Caprock truck
rack adapter



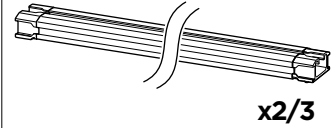
x 8 x 8

x 8

x 4

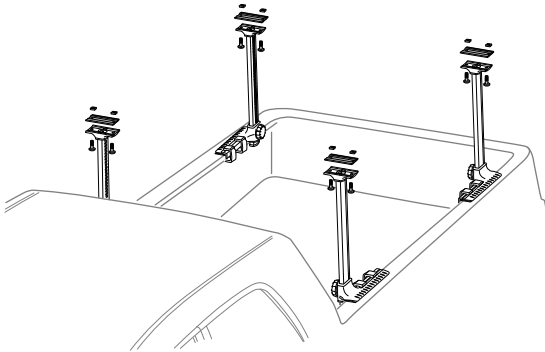


+

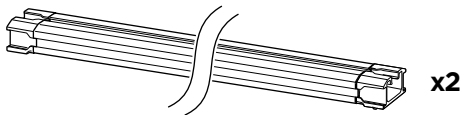
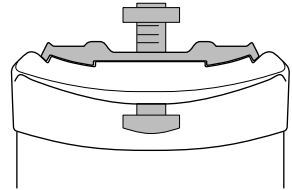
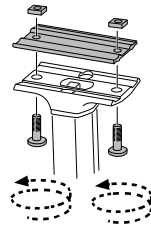


x2/3

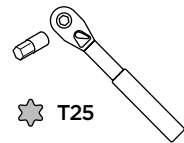
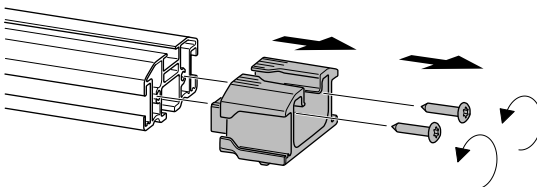
1



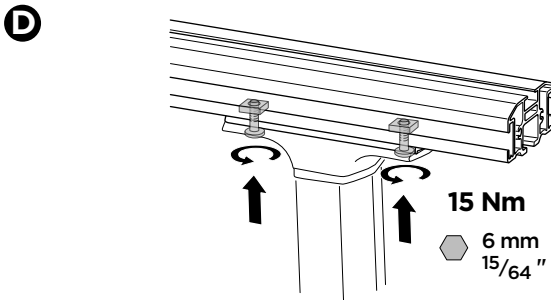
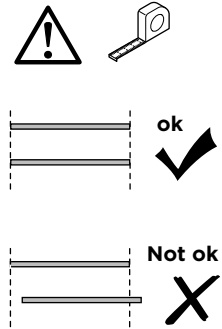
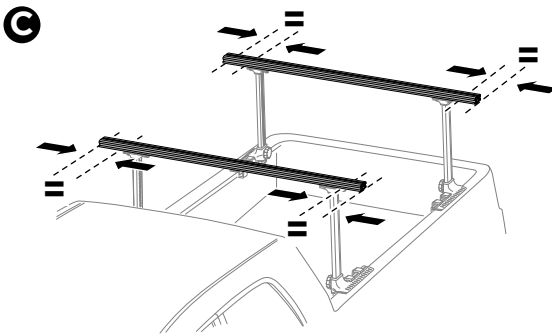
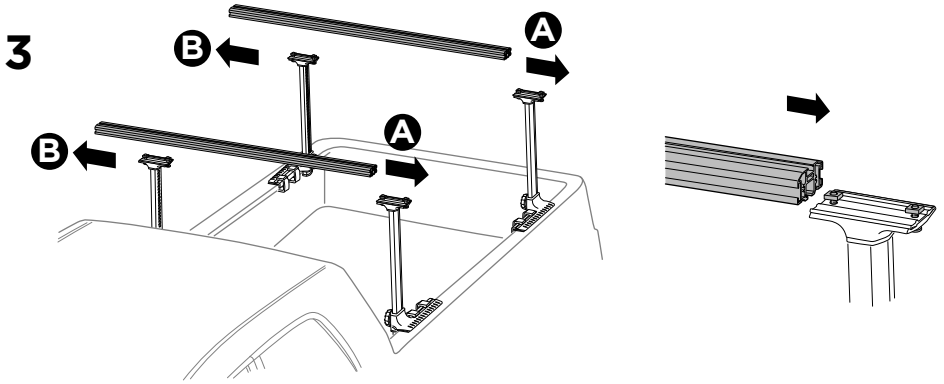
*2-3



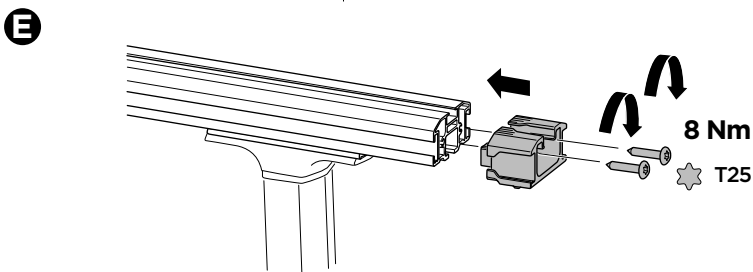
2



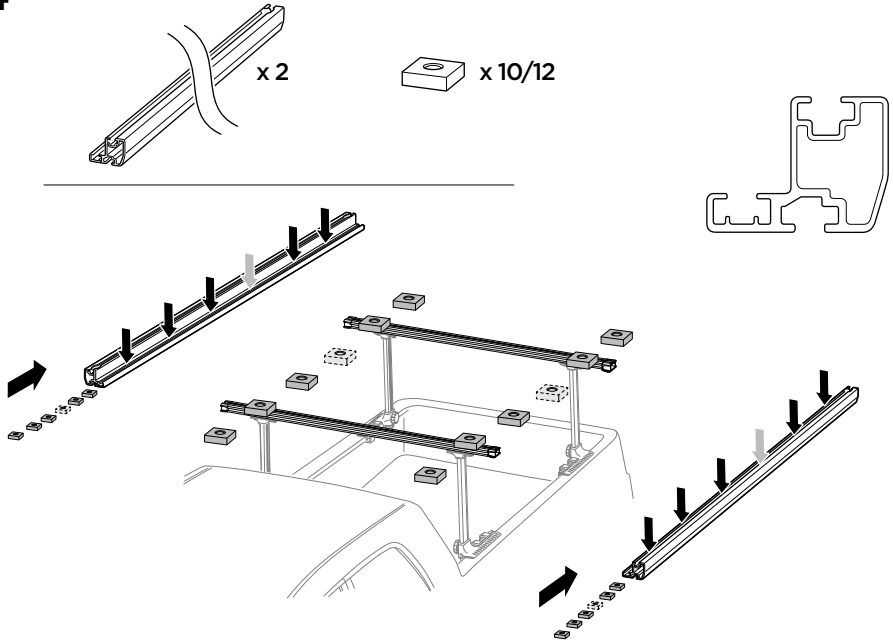
T25



⊙ x 4



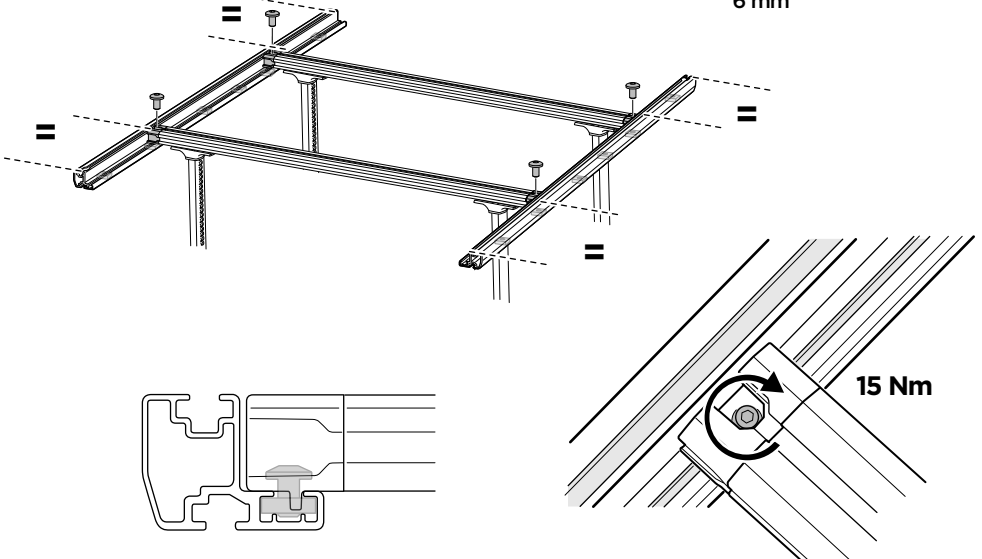
4



5

M8 14 mm
x 4

6 mm



6

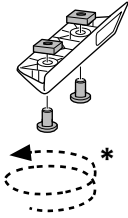
M8 14 mm
x 4

x 4

x 1

x 1

A

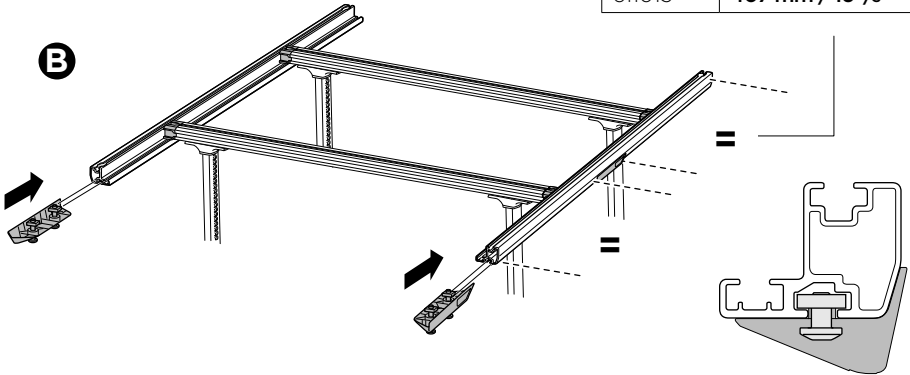


*2-3 

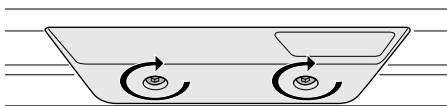
i

611001	407 mm / 16 1/3"
611002	407 mm / 16 1/3"
611003	607 mm / 23 7/8"
611004	407 mm / 16 1/3"
611005	607 mm / 23 7/8"
611006	707 mm / 27 13/16"
611015	407 mm / 16 1/3"

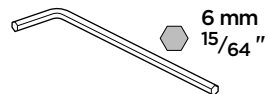
B



C



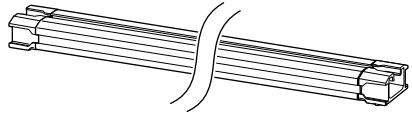
4 Nm



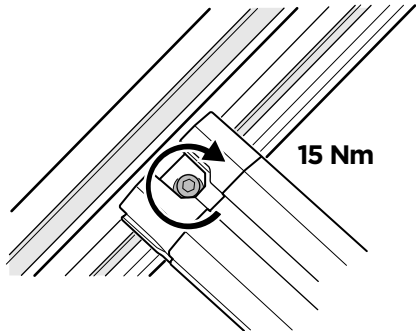
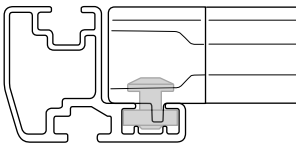
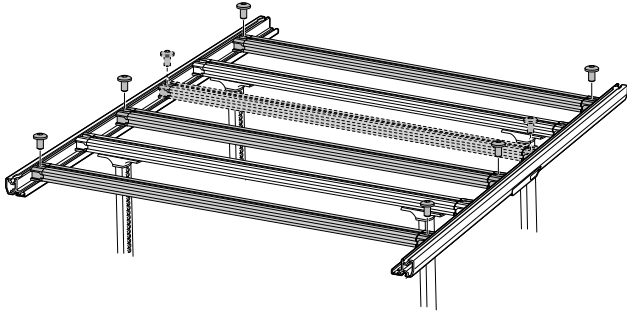
7



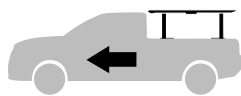
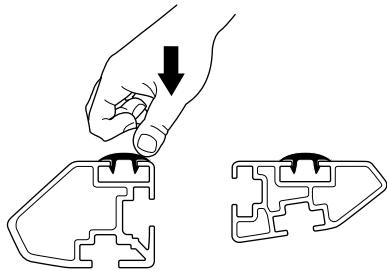
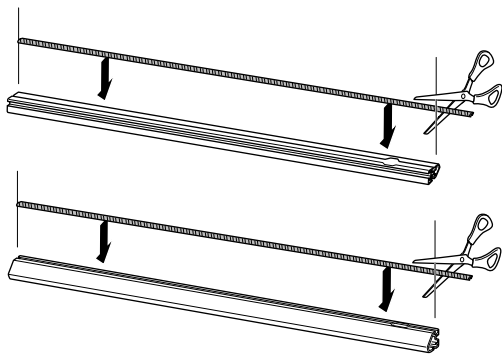
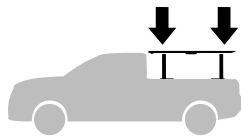
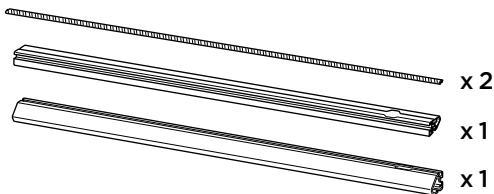
M8 14 mm
x 6/8



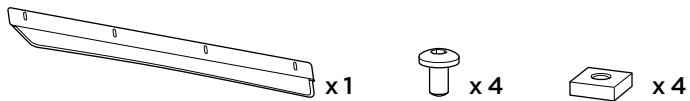
x 3/4



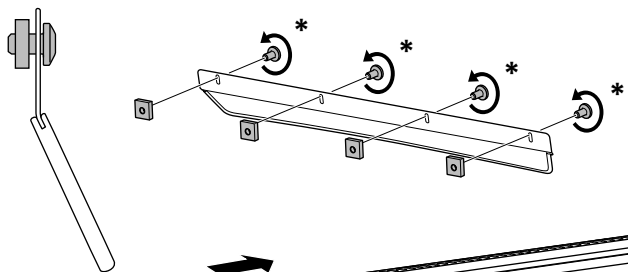
8



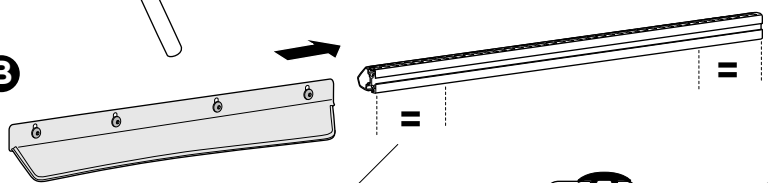
9



A

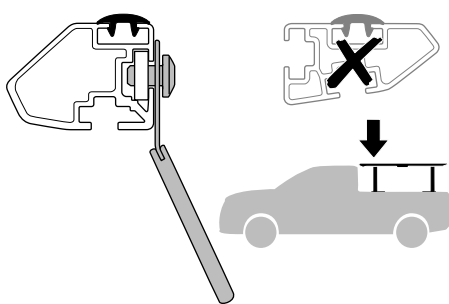


B









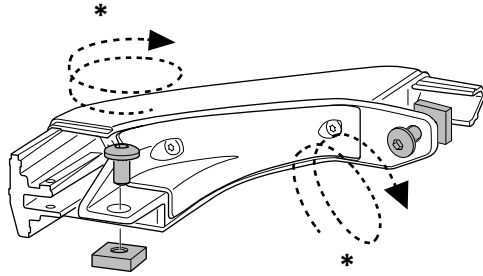
i


611001	80 mm / 3"
611002	80 mm / 3"
611003	80 mm / 3"
611004	80 mm / 3"
611005	205 mm / 8"
611006	80 mm / 3"
611015	205 mm / 8"



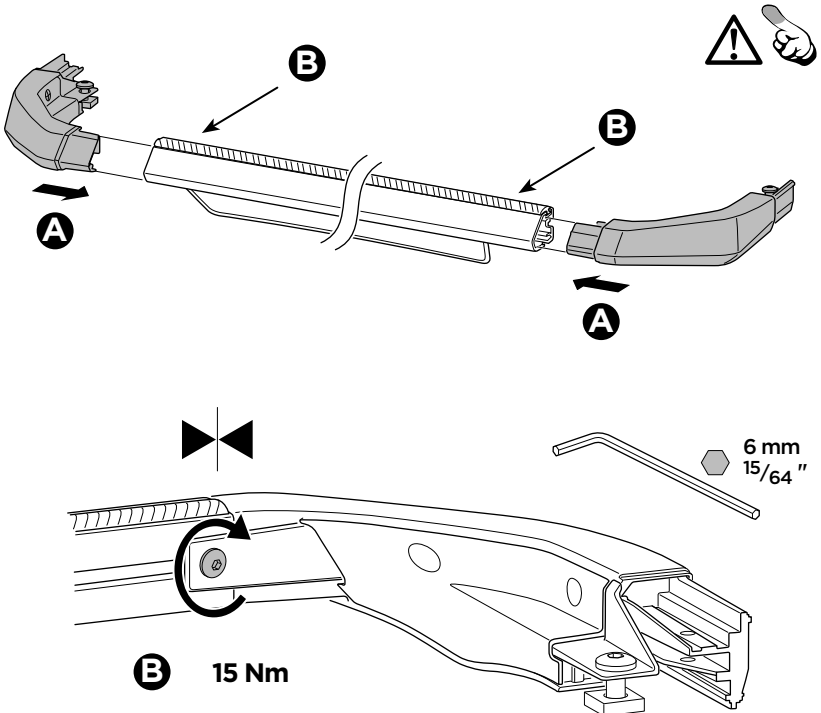
10

-  x1
-  x1
-  x1
-  x1
-  x8
-  x8

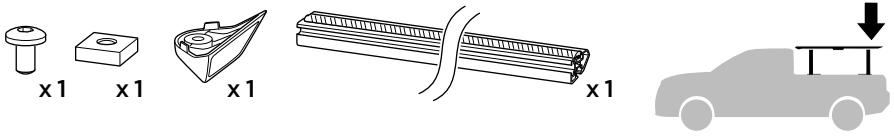


*2-3 

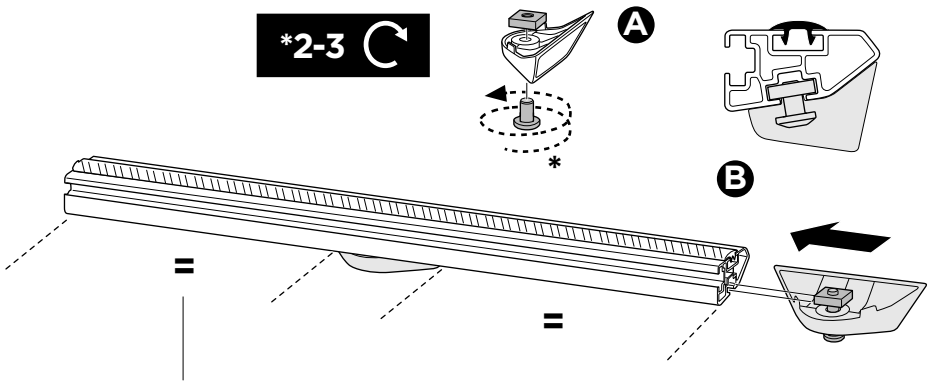
11



12

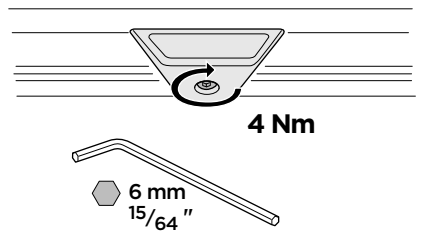


***2-3**

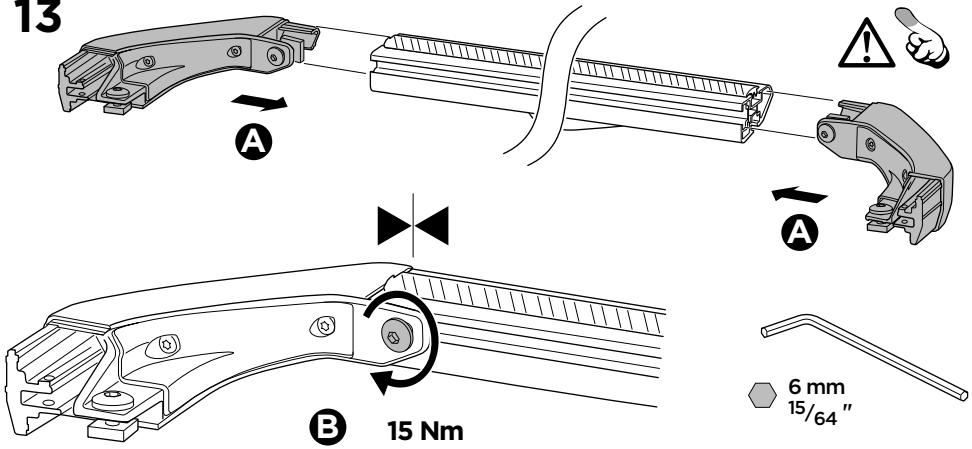


i

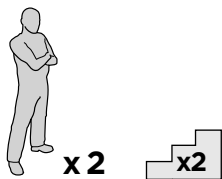
611001	466 mm / 18 3/8"
611002	551 mm / 21 11/16"
611003	551 mm / 21 11/16"
611004	626 mm / 24 5/8"
611005	751 mm / 29 9/16"
611006	626 mm / 24 5/8"
611015	751 mm / 29 9/16"



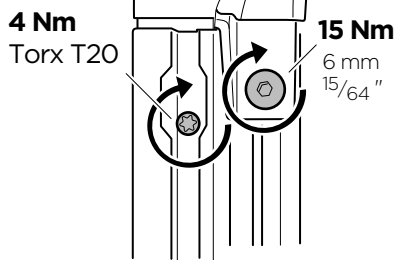
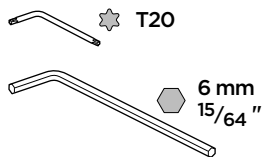
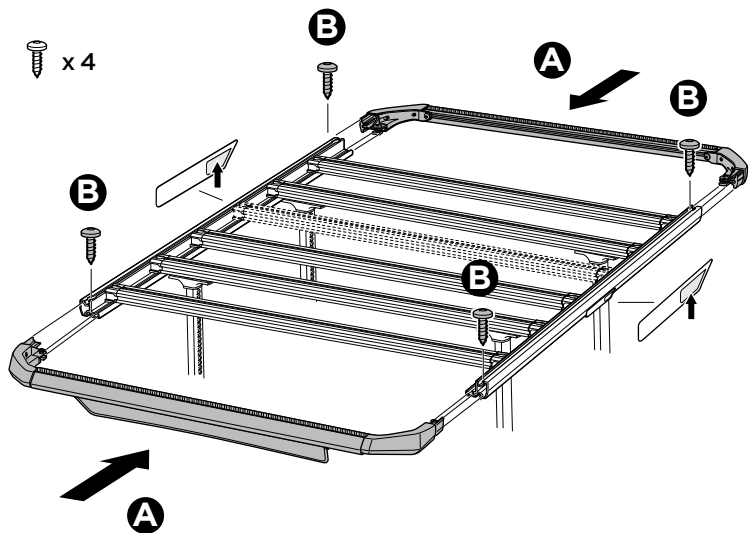
13



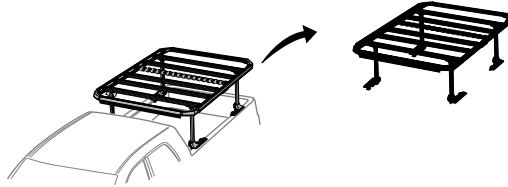
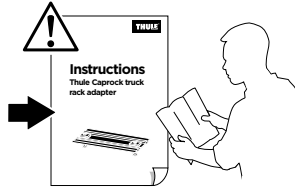
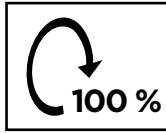
i



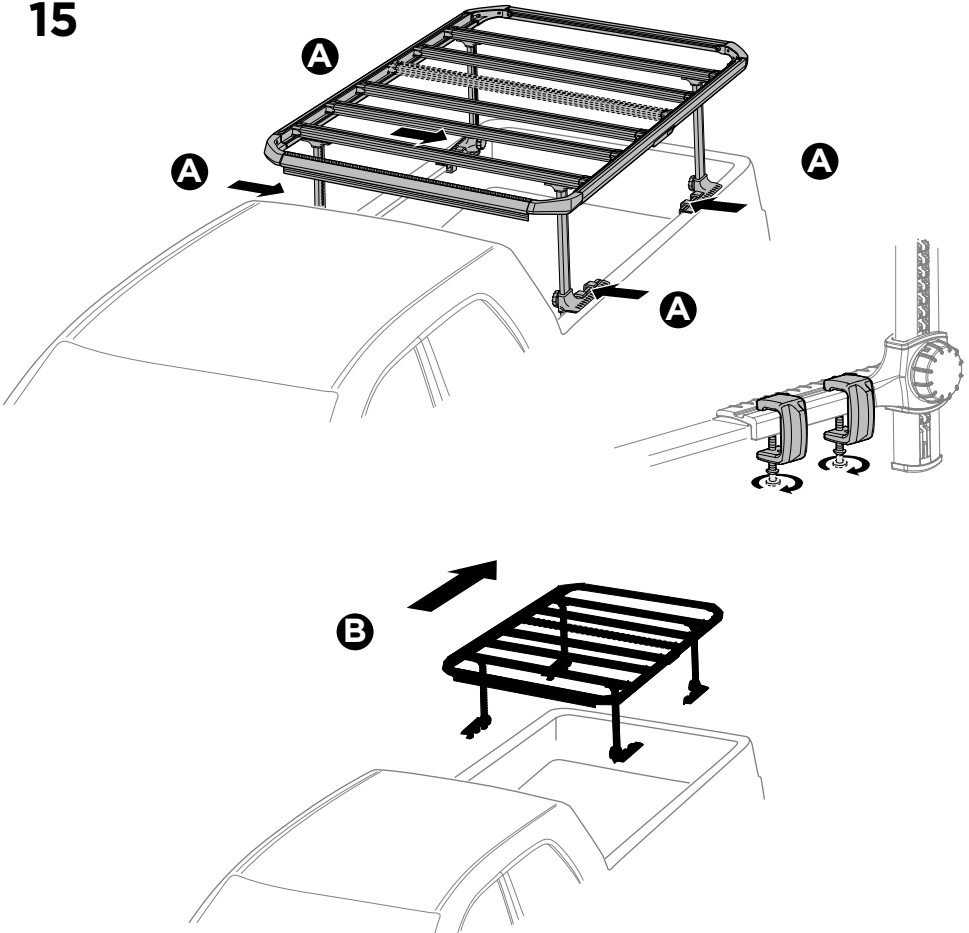
14



i



15



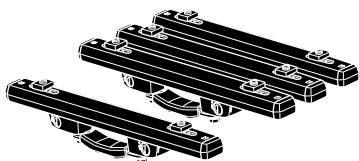
EN Accessories
FR Accessoires
ES Accesorios
DE Zubehör
NL Accessoires
PT Acessórios
IT Accessori
SV Tillbehör
DK Tilbehør

NO Tilbehør
FI Lisävarusteet
IS Aukabúnaður
ET Lisavarustus
LV Piederumi
LT Priedai
RU Аксессуары
UK Аксесуари
PL Akcesoria

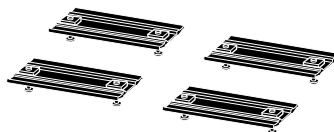
CS Doplnky
HU Tartozékok
RO Accesorii
SK Príslušenstvo
SL Dodatki
BG Принадлежности
HR Dodaci
EL Εξαρτήματα
TR Aksesuarlar

MT Accessorji
HE אביזרים
AR ملحقات
ZH (CN) 附件
ZH (TR) 配件
JA アクセサリー
KO 액세서리
TH อุปกรณ์เสริม
MS Aksesori

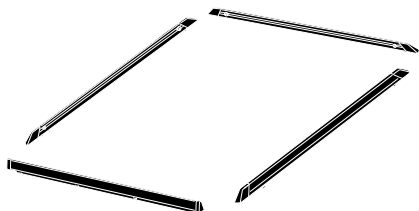
Thule Caprock crossbar kit 611300



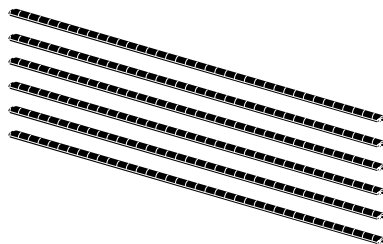
Thule Caprock truck rack adapter 611310, 611311



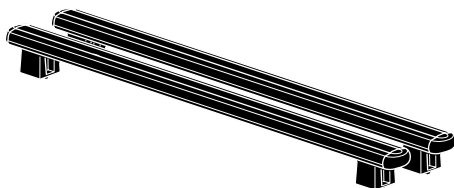
Thule Caprock railing kit 611201-611208



Thule Caprock cover strips 611320



Thule Caprock cargo box kit 611330



Thule Caprock eyebolt kit 611340

